

# THM90<sup>EVO</sup>/THM90PB<sup>EVO</sup>/THM90TR<sup>EVO</sup> < Flap ventilators glazed-in/at transom



## *Self-regulating flush window vent, ideal for sliding doors*

The THM90<sup>EVO</sup> is an entirely flat window vent, which makes this the ideal product for integration in sliding doors. Three different types of THM90<sup>EVO</sup> are available, each for different glass thicknesses: THM90<sup>EVO</sup> for glazed-in installation, THM90PB<sup>EVO</sup> for installation at the bottom of the window, and the THM90TR<sup>EVO</sup> for installation between profiles (at transom).

By combining a THM90PB<sup>EVO</sup> in the lower part and a THM90<sup>EVO</sup> in the upper part of a conservatory, the THM90<sup>EVO</sup> is ideal for natural ventilation by convection.

### **Glazed-in installation (or at transom)**

The THM90<sup>EVO</sup> has been developed for glazed-in installation, and can be integrated in aluminium, timber and PVC window profiles. The THM90<sup>EVO</sup> can be installed on glass, at the bottom of the window (THM90PB<sup>EVO</sup>), and at transom (THM90TR<sup>EVO</sup>). The THM90<sup>EVO</sup> should only be used for installation on ground floors.

### **Thermally broken**

No cold air transfer from outside to inside.

### **Self-regulating**

Thanks to its self-regulating flap, the THM90<sup>EVO</sup> ensures the supply of fresh and healthy air without draughts.

### **Entirely flat interior profile**

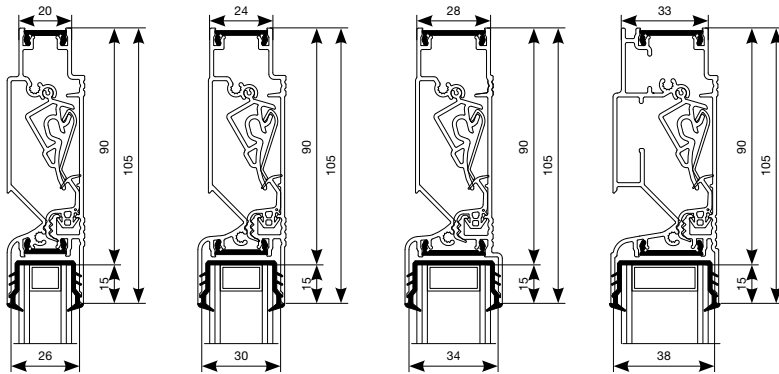
Thanks to its flat interior profile, the THM90<sup>EVO</sup> is the perfect solution for integration in the fixed part of sash windows.

### **Insect mesh**

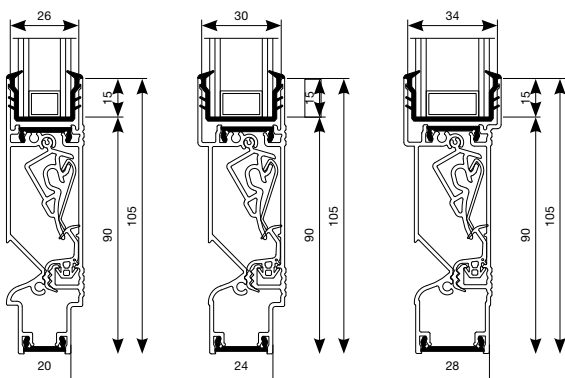


Section detail

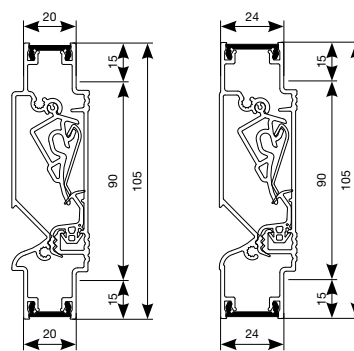
THM90<sup>EVO</sup>



THM90PB<sup>EVO</sup>



THM90TR<sup>EVO</sup>



Technical characteristics

THM90<sup>EVO</sup> – THM90PB<sup>EVO</sup> – THM90TR<sup>EVO</sup>

Airflow	
Equivalent area	11841 mm <sup>2</sup> /m
Q at 1 Pa	9,3 l/s/m
Q at 1 Pa	33,5 m <sup>3</sup> /h/m
Q at 2 Pa	13,9 l/s/m
Q at 10 Pa	13,5 l/s/m
Q at 20 Pa	15,1 l/s/m
Comfort	
Sound reduction D <sub>n,e,w</sub> (C;C <sub>v</sub> )	
- In open positie	26 (0;0) dB
- In gesloten positie	45 (-1;-1) dB
Technical characteristics	
Controllable internal flap	5 stepped positions
Control options internal flap	Manual, cord, rod, motor
U value	3,8 W/m <sup>2</sup> K
Air leakage at 50 Pa	<15% (in closed position)
Watertightness in closed position, up to	650 Pa
Watertightness in open position, up to	100 Pa
Dimensions	
Glass reduction	90 mm
Height	105 mm
Glass thickness	
THM90 <sup>EVO</sup>	20, 24, 28 or 33 mm
THM90PB <sup>EVO</sup>	20, 24 or 28 mm
THM90TR <sup>EVO</sup>	20 or 24 mm
Max. length	2500 mm

