

TC45 < Flap ventilators glazed-in/at transom



Compact flap vent with a good price/quality ratio

The compact TC45 is a non-selfregulating, thermally broken aluminium glazed-in window vent with a soft-line design outer profile. The internal flap directs the incoming airflow upwards and can be placed in 5 positions.

Glazed-in installation (or at transom)

The TC45 can be installed glazed-in, or at transom using the additional transom profiles.

Thermally broken

No cold air transfer from outside to inside.

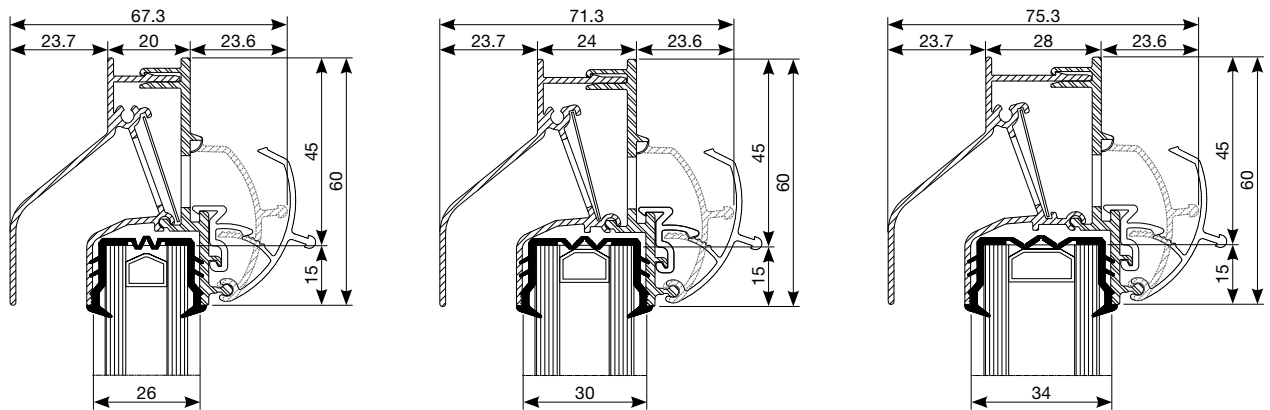
Coanda effect

The interior profile deflects the incoming air upwards, causing an optimal spread of fresh air in the room.

Insect mesh



Section detail



Technical characteristics

TC45

Airflow

Equivalent area	10435 mm ² /m
Q at 1 Pa	8,2 l/s/m
Q at 1 Pa	29,5 m ³ /h/m
Q at 2 Pa	11,5 l/s/m
Q at 10 Pa	25,8 l/s/m
Q at 20 Pa	36,5 l/s/m

Comfort

Sound reduction $D_{n,e,w}$ ($C; C_{tr}$)	
- in open position	27 (0;0) dB
- in closed position	37 (-1;-2) dB

Technical characteristics

Controllable internal flap	5 stepped positions
Control options internal flap	Manual, cord, rod
U value	4,1 W/m ² K
Air leakage at 50 Pa	<15% (in closed position)
Watertightness in closed position, up to	650 Pa
Watertightness in open position, up to	n.p.d.

Dimensions

Glass reduction	45 mm
Height	60 mm
Glass thickness	20, 24 or 28 mm
Max. length	2500 mm

