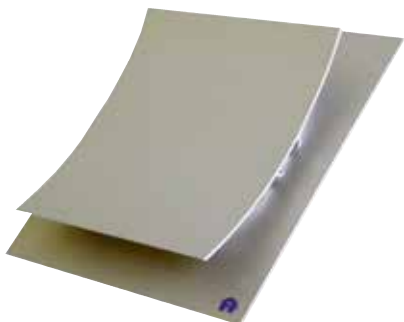


## XD < Controllable cavity wall louvres



### Stylish extraction louvre

#### Material

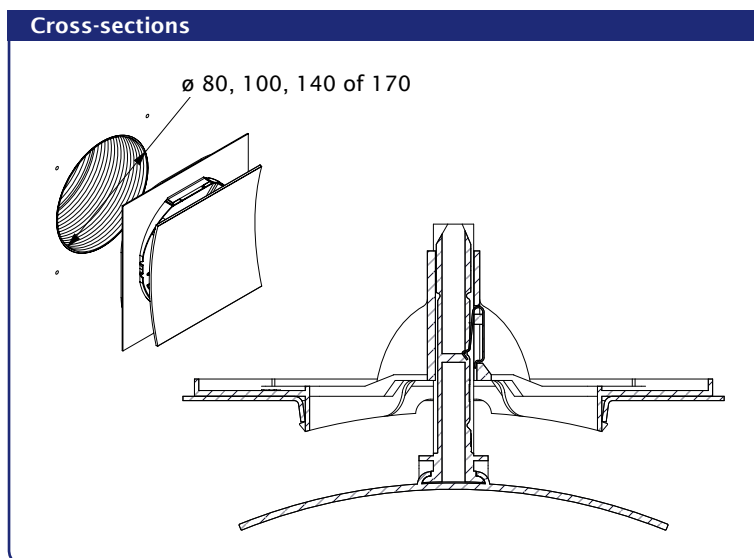
- Cover plate: aluminium AlMgSi 0.5 (according to EN 12020-2)
- Finishing: powder coating in any RAL or Syntha Pulvin® colour (40 microns)
- Base and sliding part: POM (polyoxymethylene)

#### Dimensions

- XD1: 152 x 152 mm
- XD2: 188 x 188 mm
- XD3: 233 x 233 mm
- Depth (in closed position): 79 mm

#### Typical applications

- Aesthetical internal louvre for wall or ceiling



Technical specifications			
	XD1	XD2	XD3
Use	<b>System C</b> all wet areas	<b>System A</b> Toilet Closed area ≤ 14 m <sup>2</sup>	<b>System A</b> Openspace kitchen Close area ≤ 14 m <sup>2</sup>
Airflow	(EN 13141-1)		
	<i>Position I:</i> not possible <i>Position II:</i> 22 m <sup>3</sup> /h at 2 Pa	<i>Position I:</i> 39,2 m <sup>3</sup> /h at 2 Pa <i>Position II:</i> 50,4 m <sup>3</sup> /h at 2 Pa	<i>Position I:</i> 63,0 m <sup>3</sup> /h at 2 Pa <i>Position II:</i> 87,1 m <sup>3</sup> /h at 2 Pa
Duct diameter	80 mm (max ø 140 mm)	100 mm, 140 mm (max ø 160 mm)	140 mm, 170 mm (max ø 200 mm)
Colors			
RAL 9006	•	•	•
RAL 9010	•	•	•
<i>(other colors on demand)</i>			