

Glazed-in "storm" louvre, pitch 33

**Material**

- Made from aluminium sections: AlMgSi 0.5 (according to EN 12020-2)
- Stainless steel 304 mesh (6 x 6 mm) or insect screen (2.3 x 2.3 mm) on request
- Finishing: anodized in satin/bronze colour (20 micron) or powder-coated in any RAL or Syntha Pulvin colour (40 micron)

**Dimensions**

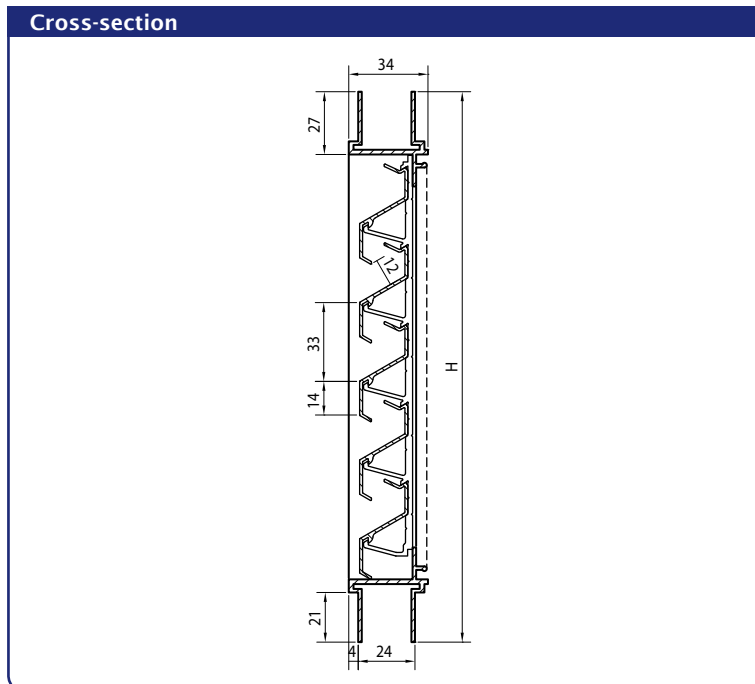
- Blade pitch: 33,3 mm
- Frame thickness: 24, 28 or 32 mm
- Specify on ordering: full width x height in mm
- Minimum dimensions: 130 x 130 mm

**Fixing**

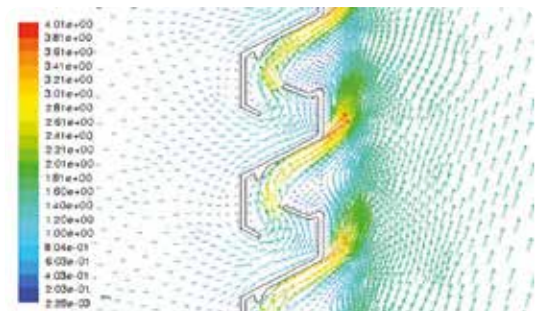
- Suitable for 24, 28, 32 mm glazing sections. Other thicknesses on request.

**Options**

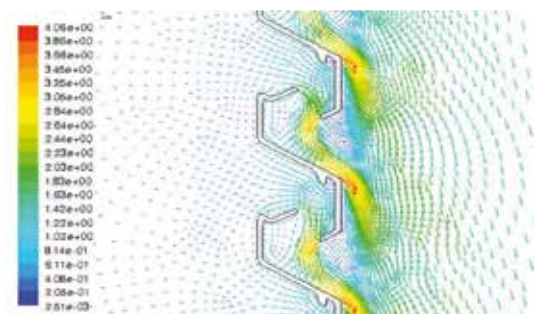
- Water channel
- Drainage profile
- Removable mesh
- Filter
- Welded blades on frame (only RAL finish)



AIRFLOW



Supply



Discharge

Technical specifications	
	<b>494</b>
Airflow	(EN 13030)
K-factor (supply)	123,5
K-factor (discharge)	118,1
C <sub>e</sub> coefficient	0,090
C <sub>d</sub> coefficient	0,092
Technical data	
Visual free area	57 %
Physical free area	26 %

