

Burglarproof louvre class WK4 (RC4)

Material

- Made from aluminum profiles AlMgSi 0.5 (according to EN 12020-2)
- Stainless steel insect mesh 304 - 2.3 x 2.3 mm or stainless steel mesh 304 6 x 6 mm upon request
- Finishing: anodized in satin/bronze colour (20 micron) or powder-coated in any RAL or Syntha Pulvin colour (40 micron)
- Every second blade has a bi-chromatised steel bar of diam. 20 mm

Dimensions

- Blade pitch: 50 mm
- Depth: 50 mm
- Frame without flange
- Minimum dimensions: 200 x 200 mm
- Maximum width: 2800 mm

Fixing

- The steel bars of the louvre need to be built into the wall.
- Frame without flange

Options

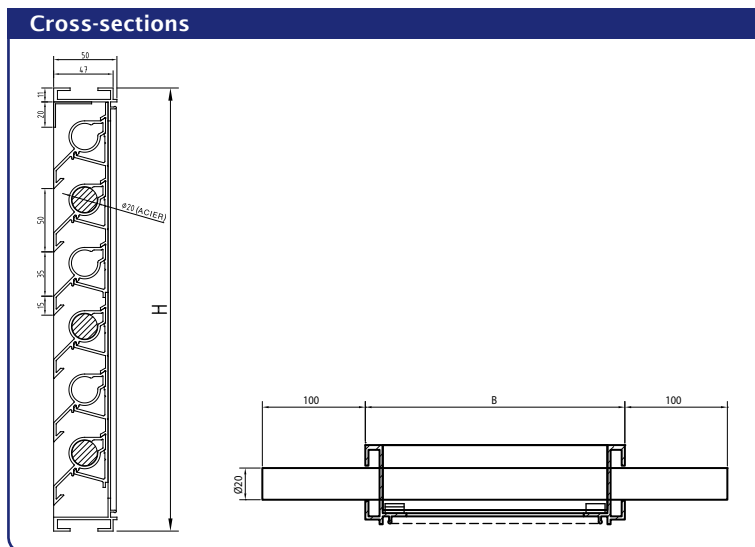
- Water channel
- Filter

Features

- Aesthetical and functional high-quality louvre:
 - Burglarproof class WK4 (RC4), in accordance with prEN 1627 till 1630 (May 2009).
 - Official test report No. DE78A982

Typical applications

- Banks, IT rooms, museums and jewellers.



Technical specifications	
	423
Airflow	(EN 13030)
K-factor (supply)	27,06
K-factor (discharge)	27,28
C _e coefficient	0,193
C _d coefficient	0,192
Technical data	
Visual free area	70 %
Physical free area	22 %
IP class	IP2XD