

## L.066P < Blade types



### *Extruded aluminium blade*

The Linius® L.066P Plano type is characterised by its unique and contemporary design. Linius® Plano blades are rectangular extruded aluminium blades. The system can be used for different purposes. It offers the opportunity to create modern architectural constructions in a simple way, both outside and inside.

In order to guarantee an aesthetical look, both blade ends can be provided with a pvc end cap.

#### **Applications**

- Sunshading blades
- Visual screen
- Aesthetic cladding
- Both exterior and interior applications
- Room divider
- Ceiling covering
- Integration in Loggia® type sunshading panels

#### **Materials**

- Aluminium extrusion, alloy EN AW 6063 T66

#### **Finish**

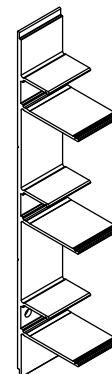
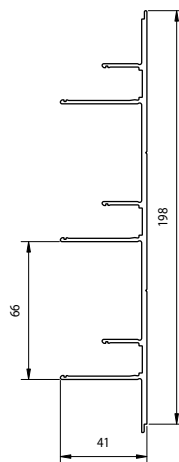
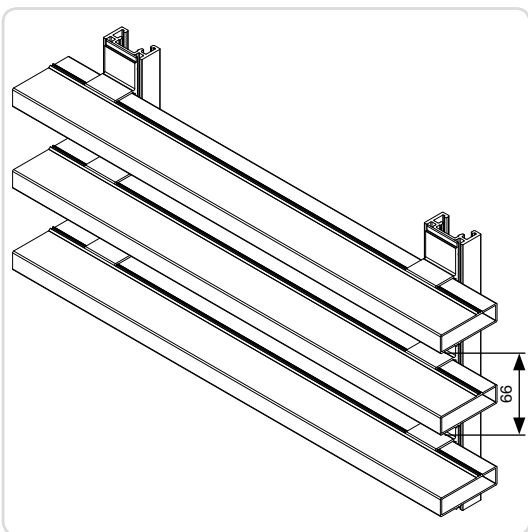
- Anodised (20 micron)
- Polyester powder coating RAL or Syntha Pulvin® colours (60 - 80 µ/40 µ (UK))

#### **End cap**

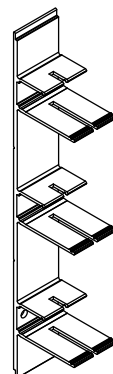
End cap L.066P.13 in black or grey PVC

#### **Blade support**

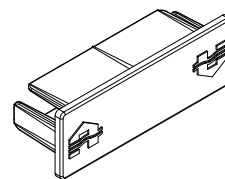
- Single blade support: L.066P.11 (width: 28 mm)
- Double blade support for thermal expansion: L.066P.12 (width: 34 mm) (connecting piece for 2 blades)



L.066P.11

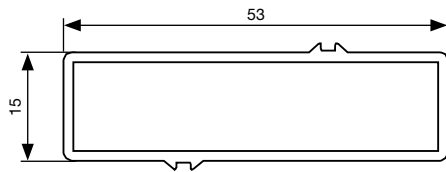


L.066P.12



L.066P.13

## Technical drawing



## Technical data

	L.066P
Pitch	66 mm
Depth	53 mm
Height	15 mm
Visual free area*	77 %
Physical free area*	77 %
Max. unsupported span between two mullions**	800 mm

\* Definition see p. 50

\*\* At  $q_b$  800 Pa wind pressure

